

Shandong Rhinoceros Engineering Machinery CO., LTD

X8 Wheel-crawler excavator

Wheel-crawler excavator is totally invented by our company; the transportation cost can be highly reduced with this design. High transportation efficiency, it is convenient to operate and easy to switch the crawler and wheels.

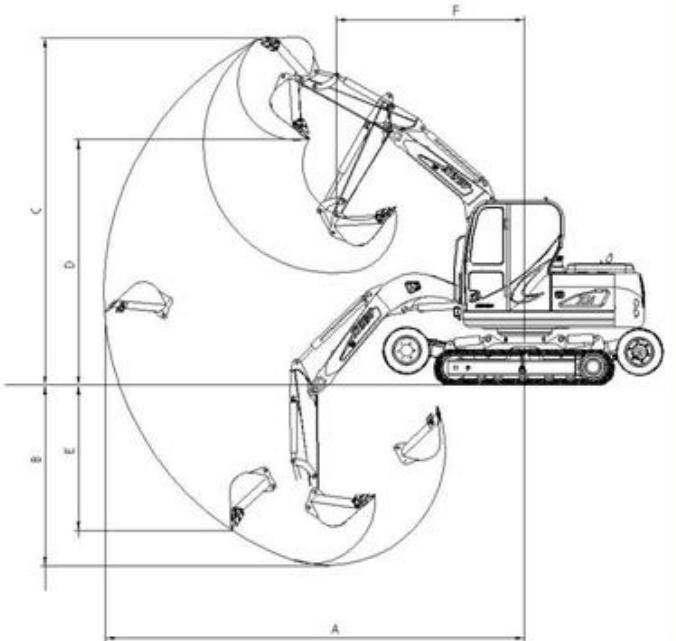
1. Mature hydraulic system, Easy to operate. High working efficiency. Main hydraulic parts are imported from Korea, Japan. Stable working performance.
2. Structural parts are all made by our company; main parts are all under nondestructive inspection treatment, which ensure the parts' strength and stiffness. Main structural parts are treated by shot blasting, which increase the adhesion of painting, prevent from corrosion, and finally prolong the service time of the excavator.



Loading method: Two units can be in a 40HC
Delivery time: within 20 days after receive the down payment.
Warranty: for full one year or 2000 working hours.

Working video link: <https://www.youtube.com/watch?v=vIZCelxMkLA>

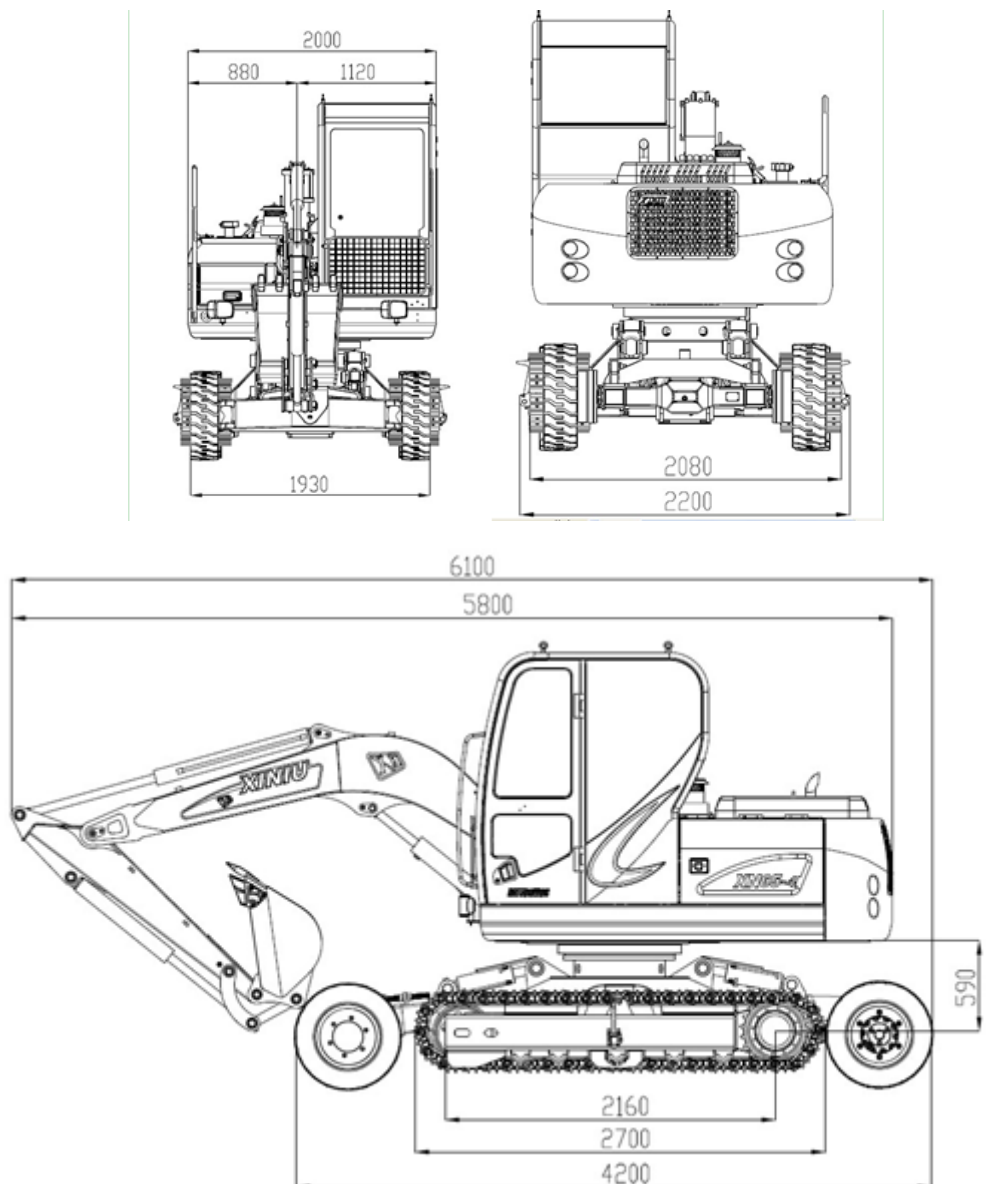
Shandong Rhinoceros Engineering Machinery CO., LTD

Main specification	
Total weight	8000KGS
Overall dimension	6200X2100X2750 mm
Cab dimension	955x1645 mm
Tail turning radius	1788 mm
Ground clearance	252 mm
Wheel base	3500 mm
Tread	1930 mm
Engine model	XINCHAI- A498BZG
Engine power	48 kw
Rated speed	2300r/min
Hydraulic system	
Main pump	SHIMADZU 23-23
Displacement	23.7L/rev
Pilot pump Tyre	Gear pump
Displacement	4ml/r
Hydraulic Pressure	22 Mpa
Swing motor	EATON brand
Travelling motor	EATON brand
Main valve	Imported from south korea SUNJIN brand
Hydraulic pipes	Manuli brand
Flow rate	48x2=96 L/min
Working Range	
 <p>The diagram illustrates the working range of the excavator. It shows the machine's profile and the reach of its boom and bucket. Dimension A represents the maximum horizontal reach of the boom. Dimension B is the height from the ground to the top of the boom. Dimension C is the maximum vertical height of the boom. Dimension D is the height from the ground to the top of the cab. Dimension E is the height from the ground to the top of the boom when it is in its lowest position. Dimension F is the horizontal distance from the rear of the machine to the end of the boom.</p>	

Shandong Rhinoceros Engineering Machinery CO., LTD

Arm length	2000 mm
A: Max. digging range	6270 mm
B: Max. digging depth	3280 mm
C: Max. digging height	5400 mm
D: Max. dumping height	4600 mm
Capacity of bucket	0.2-0.28 m ³
Transmission method	Wheel (two wheel drive) / Crawler (Hydraulic type)
Capacity of hydraulic oil tank	110 L
Capacity of fuel tank	160 L

Dimension:



More photos:



